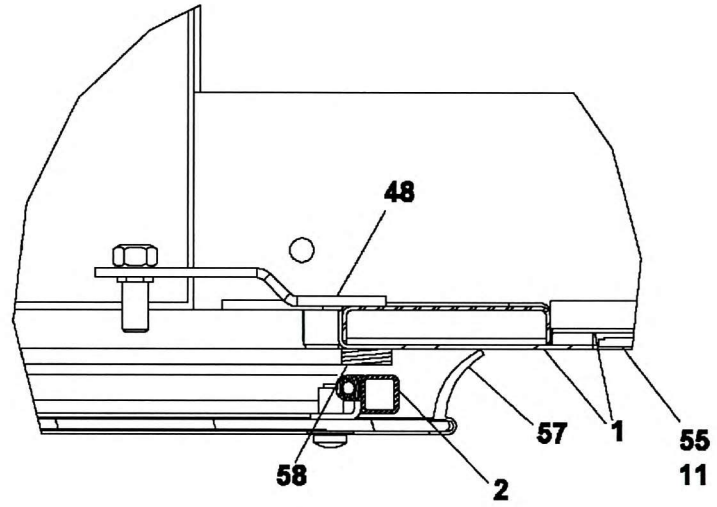
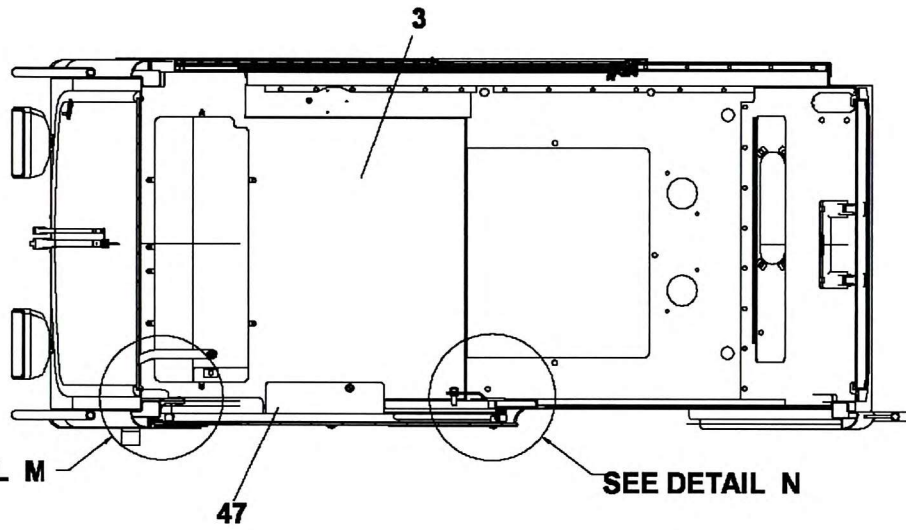


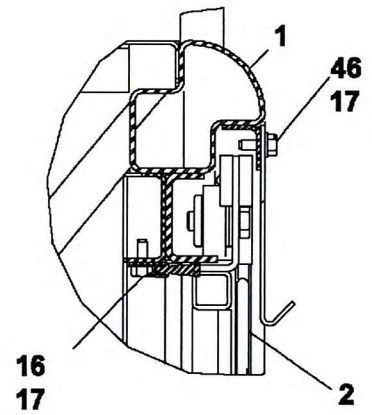
DETAIL M



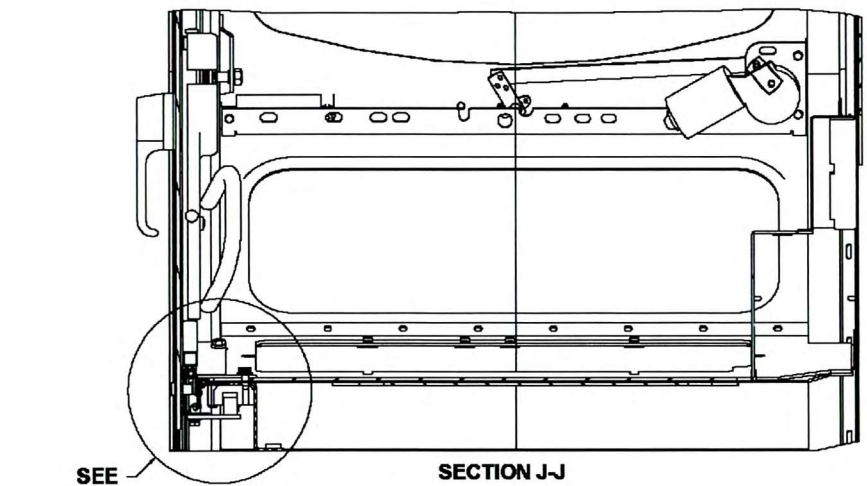
DETAIL N



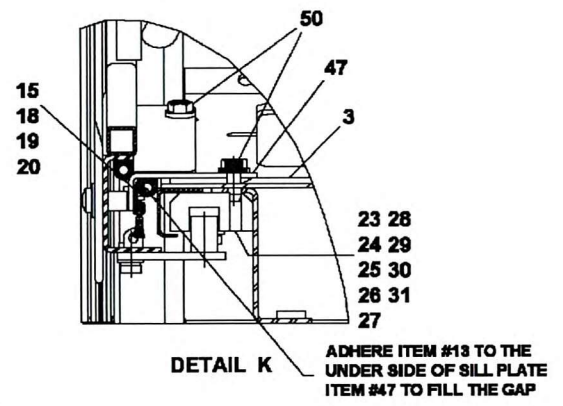
SECTION C-C



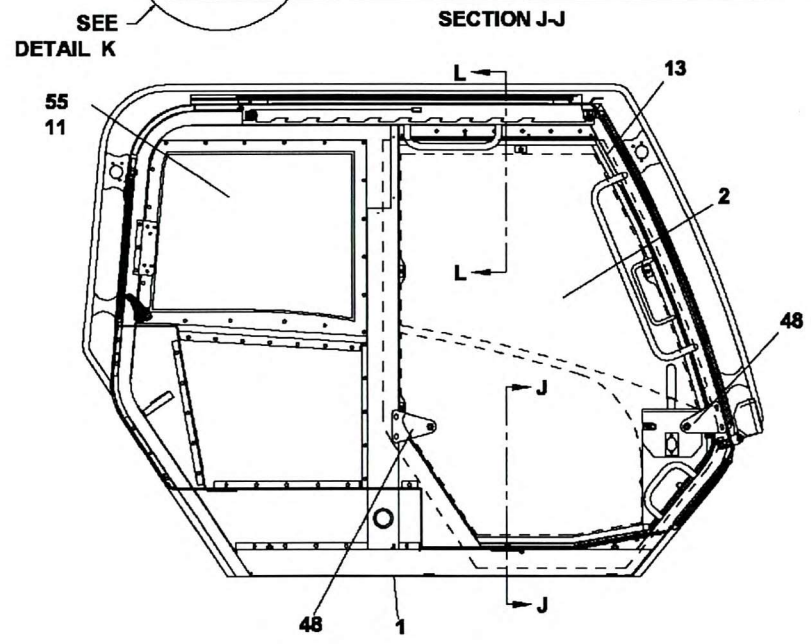
DETAIL P



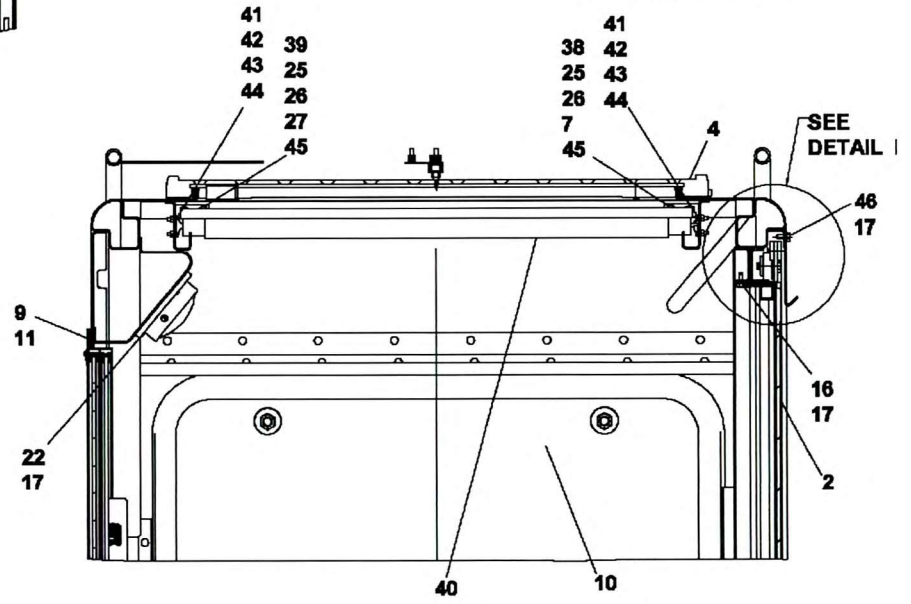
SECTION J-J



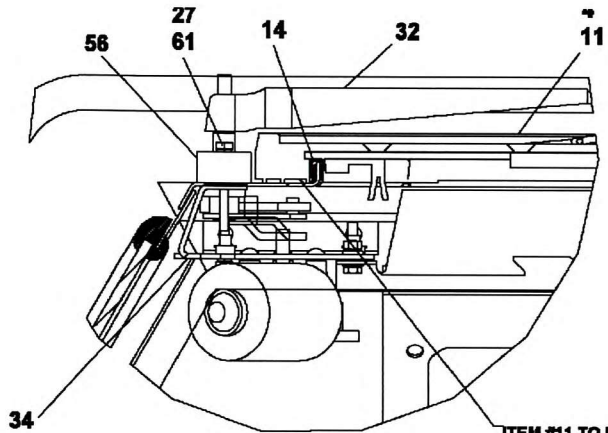
DETAIL K
ADHERE ITEM #13 TO THE UNDER SIDE OF SILL PLATE
ITEM #47 TO FILL THE GAP



SECTION B-B

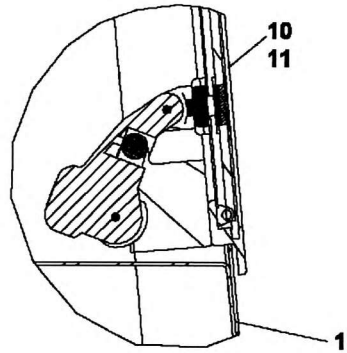


SECTION L-L

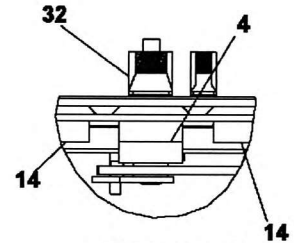


DETAIL D

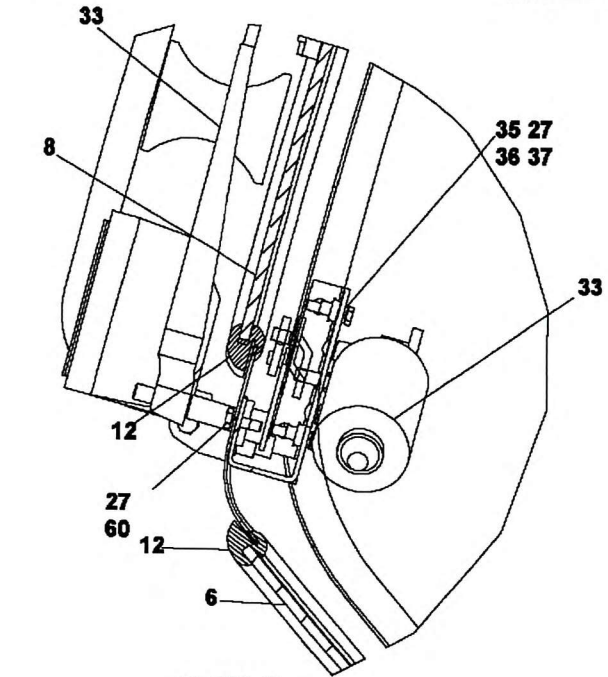
ITEM #11 TO BE
INSTALLED ON
INNER CHANNEL OF
ALUM. EXTRUSION
ON SKYLIGHT



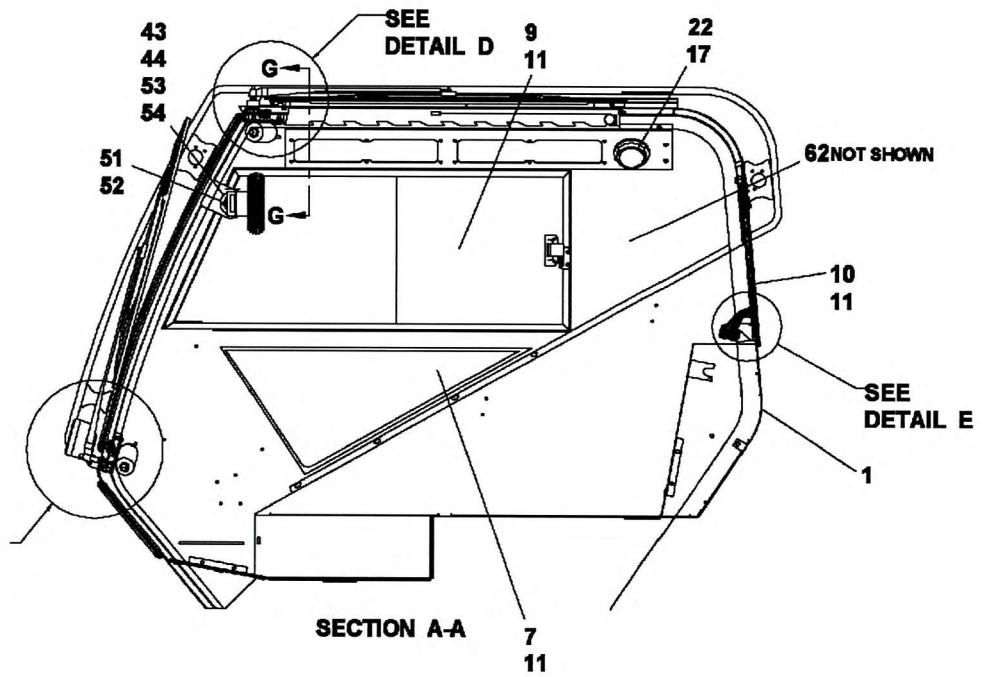
DETAIL E



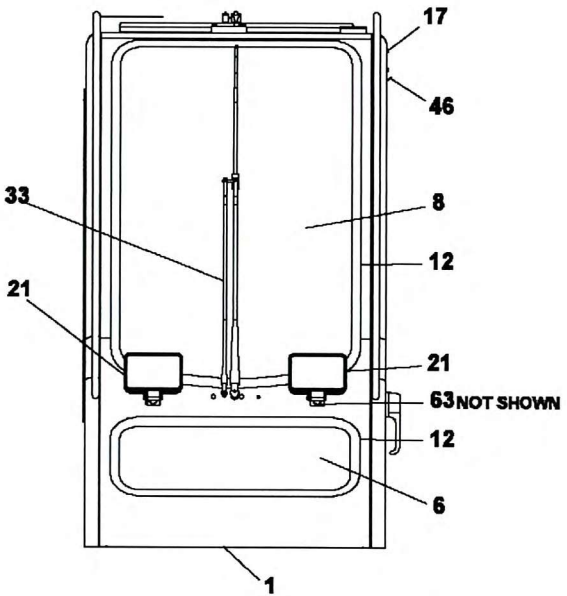
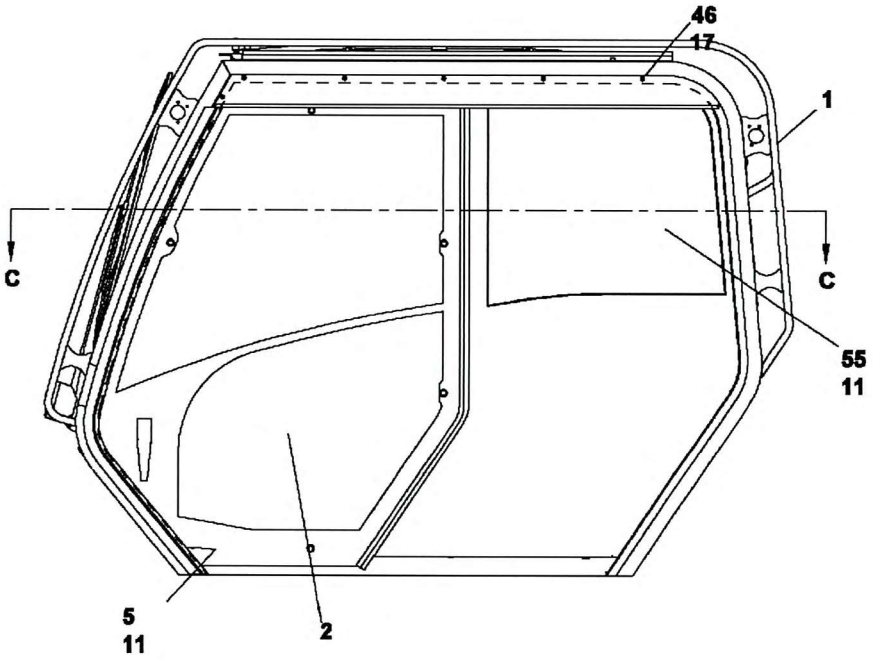
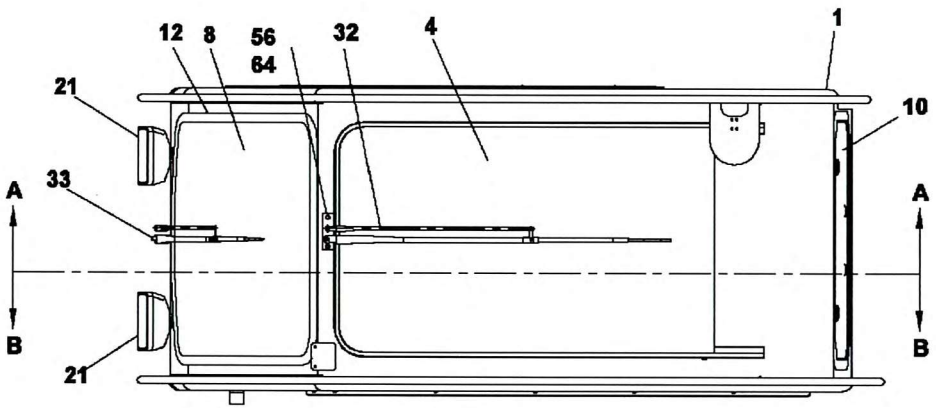
SECTION G-G



DETAIL H



SECTION A-A



NOT SHOWN
ITEM #62
ITEM #63
ITEM #64
ITEM #65